



0800 EXHIBIT (39 44 24)

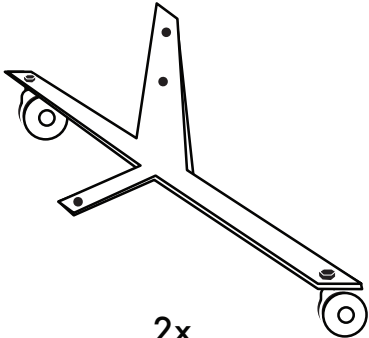



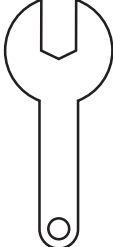


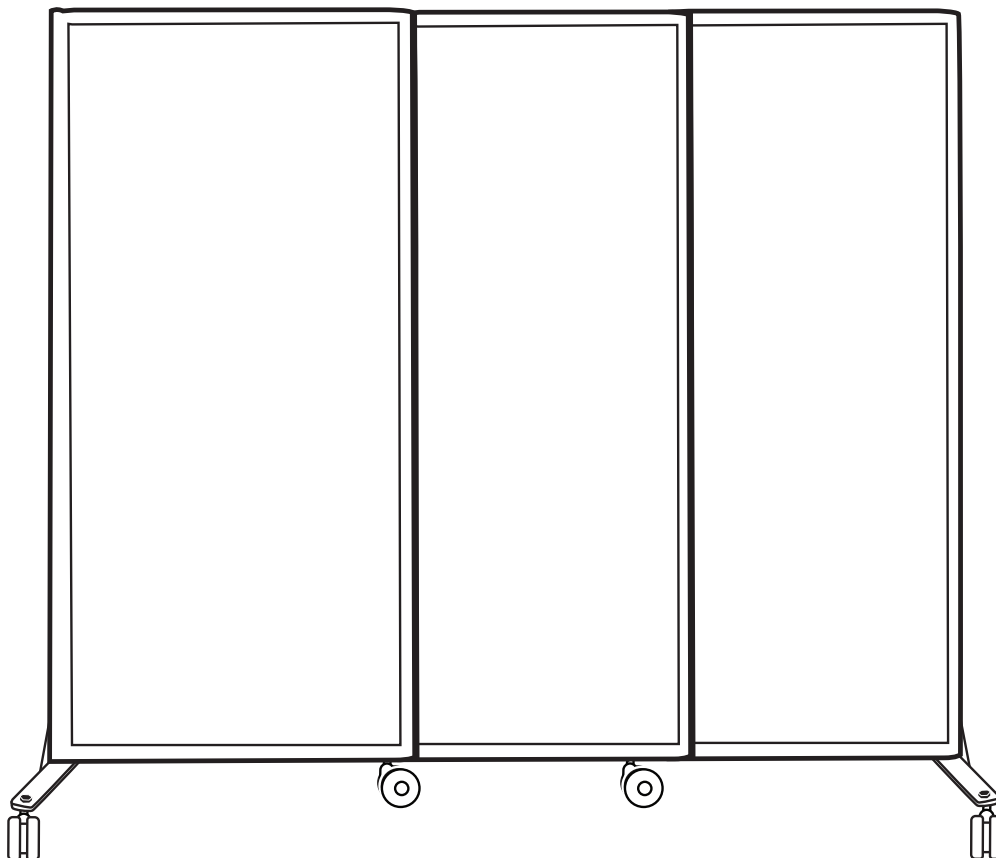
www.exhibit.co.nz



10 Rakino Way
Mt Wellington, Auckland
New Zealand

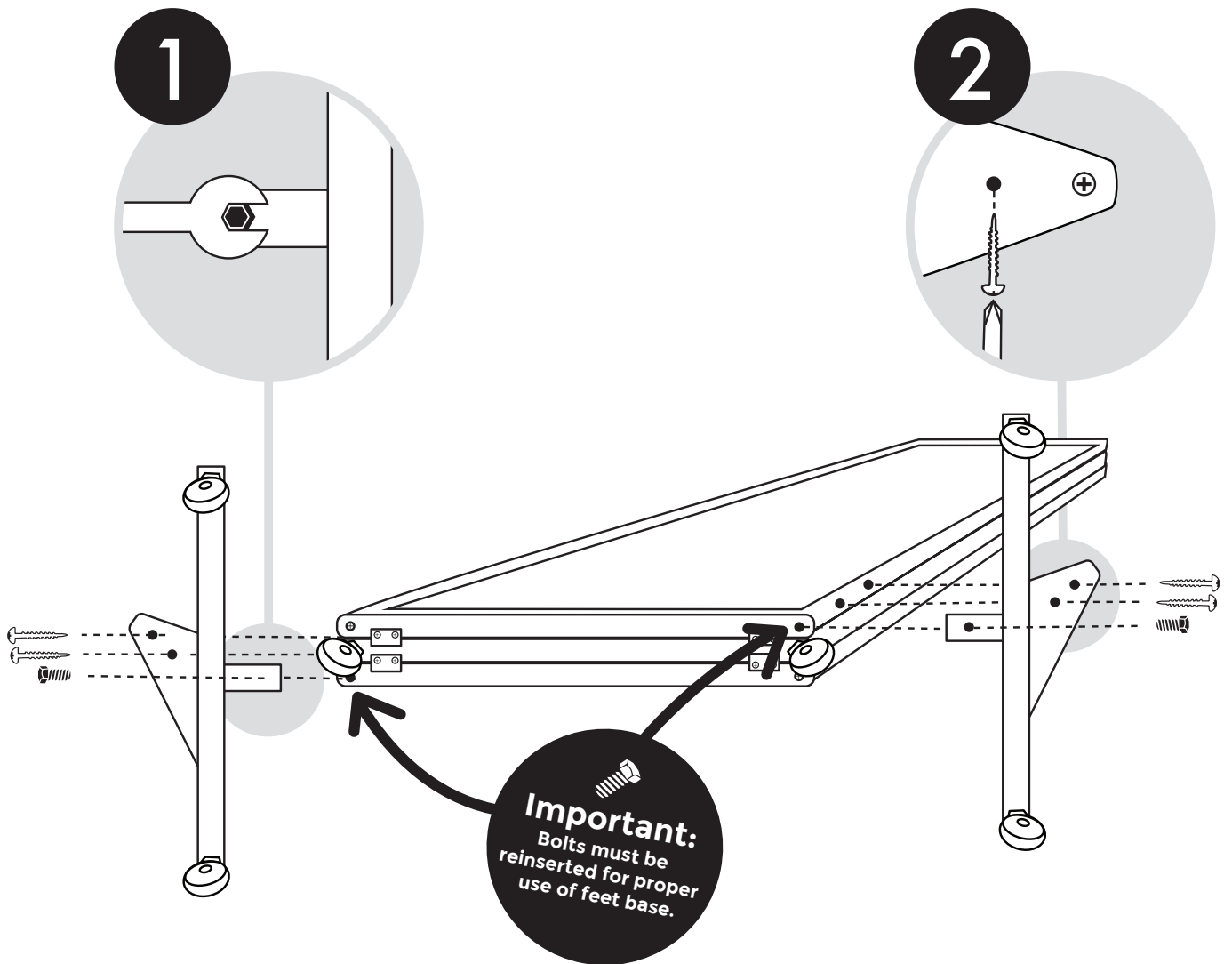
VERSARE QUICK-WALL (Sliding) Portable Partition

 <p>2x</p> <p>*Screws & bolts arrive attached to partition.</p>  <p>4x</p>  <p>2x</p>	  <p>9/16"</p>
<p>Parts Included</p>	<p>Recommended Tools</p>





Remove two bolts. Then attach feet base with bolts first, screws second.



**Exhibit
Group**



a visual advantage...



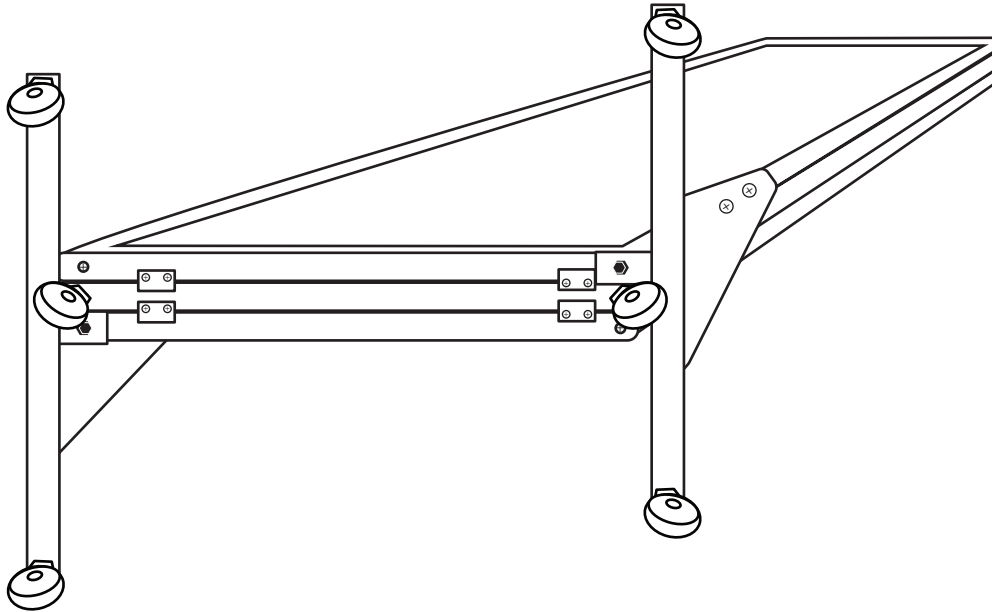
0800 EXHIBIT (39 44 24)



www.exhibit.co.nz



10 Rakino Way
Mt Wellington, Auckland
New Zealand



All complete!

**We hope you enjoy your new
Versare Quick-Wall (Sliding) Portable Partition**

**If you have any questions on your Quick-Wall,
please contact us on
0800 EXHIBIT (394 424)**