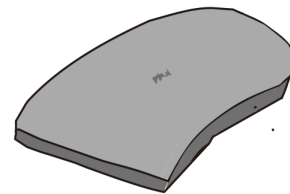
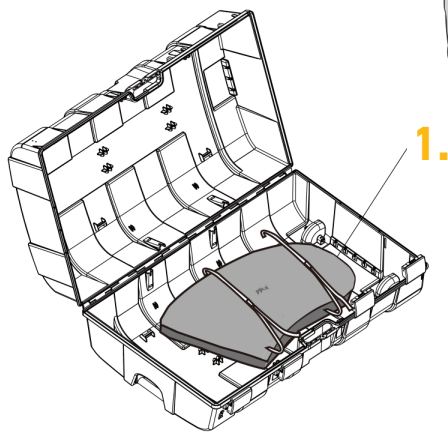
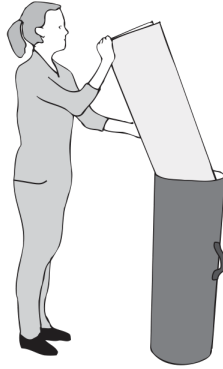
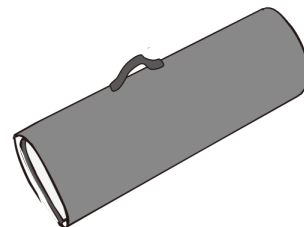
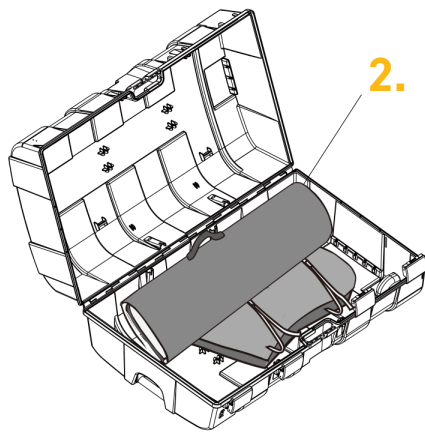


# EXPAND LINKWALL

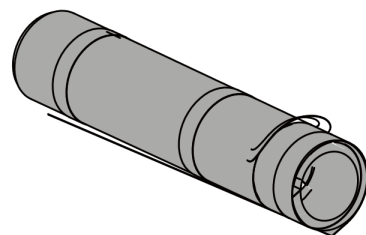
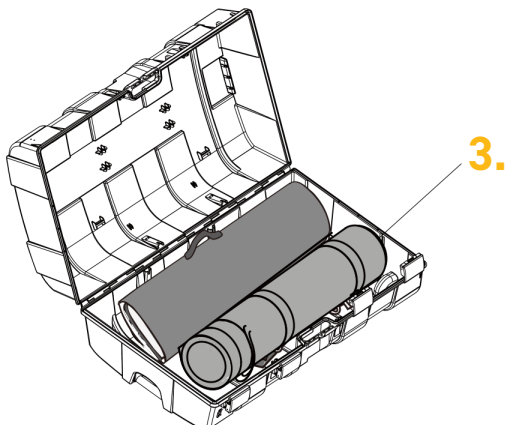
## PACKAGING INSTRUCTIONS



**1.** Table top



**2.** Bag, graphic panels



**3.** LinkWall modules

